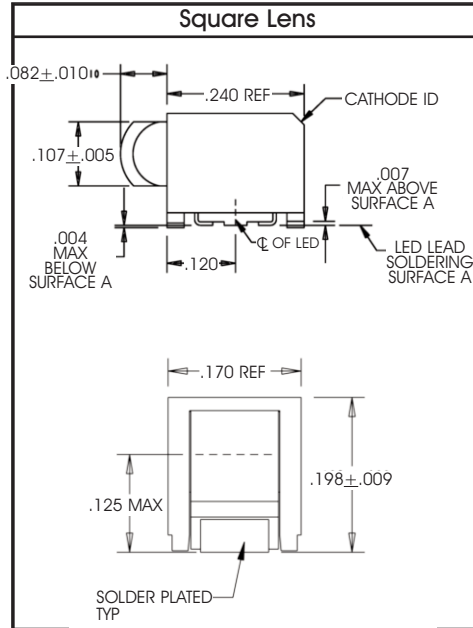
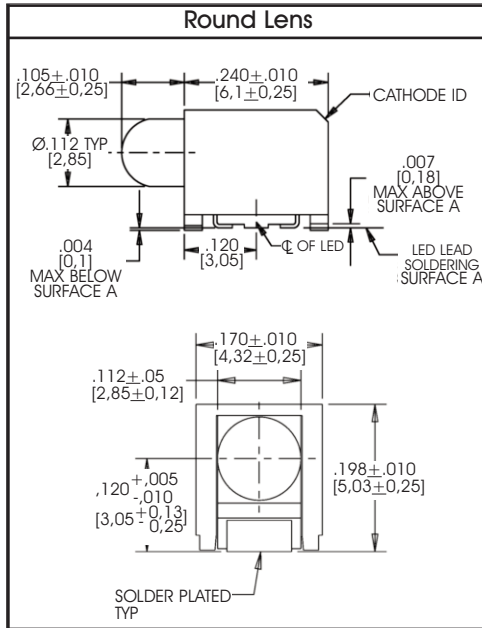


Specifications¹



¹For pad layout please see page 13

Order Code

5 9 1 - X X 0 X - X X X F

Color Lens Type Current RoHS Compliant Package Options

Current	
Current Code	Current Type
1	Standard
4	Low Current ²

²Detail on page 14

Lens Type	
Lens Code	Lens Type
0	Round
1	Square

Packaging Type	
Packaging Code	Packaging
02	20 piece strip
07	7" Reel
13	13" Reel

Color Field				Operating Characteristics			
Color Code	Color	Material	Feature	Test Condition	V _f Typ (Volts)	Type Luminous Intensity (mcd)	Type Dom Wavelength (nm)
20*	Red	GaAsP/GaP	Hi. Efficiency	I _f = 10mA	2.0	5.0	628
21	Red	AlGaAs	-----	I _f = 10mA	1.8	23.9	645
22	Green	AlGaP	Hi. Intensity	I _f = 10mA	2.1	9.1	570
23*	Green	GaP	-----	I _f = 10mA	2.0	4.0	570
24*	Yellow	GaAsP/GaP	-----	I _f = 10mA	2.0	5.0	587
25*	Orange	GaAsP	-----	I _f = 10mA	2.0	13.7	606
26	Blue	InGaN	-----	I _f = 20mA	3.5	6.0	465
27	Yellow	AlInGaP	-----	I _f = 10mA	2.0	33.6	587
28	White	InGaN	-----	I _f = 20mA	3.5	19.0	x .33 y .33
30	R/G	GaAsP	-----	I _f = 10mA	2.0/2.0	6.5/8.0	628/570
31	Y/G	GaAsP/GaP	-----	I _f = 10mA	2.0/2.0	6.5/8.0	586/570
32	R/Y	AlGaP/AlGaP	-----	I _f = 10mA	2.0/2.0	6.5/6.5	528/586
34	R/B	AlInGaP/GaN	-----	I _f = 20mA	1.9/3.9	30/5	626/470
35	R/G/B	AlInGaP/InGaN	-----	I _f = 20mA	2.6/4.5/2.6	10/5/16	645/466/570
36	O/G	GaAsP/GaP	-----	I _f = 10mA	2.0/2.0	5.5/8.5	606/570

Low current version only available in marked colors (). See page 14 for details.